



Standalone Access Control

JS-32E (Proximity)

Feature

Wiegand 26 input and output

Capacity :2000users, button keypad

Plastic case, indoor used

Access Way : Pin, Card, Pin+Card



JS-32E (Proximity)

Specifications

Card type : EM

Working voltage : DC12V \pm 10%

Reading Range : 3-6cm

Humidity : 10% to 90% RH

Door Opening Time : 0-99s (Adjustable)

Static electricity : \leq 30mA

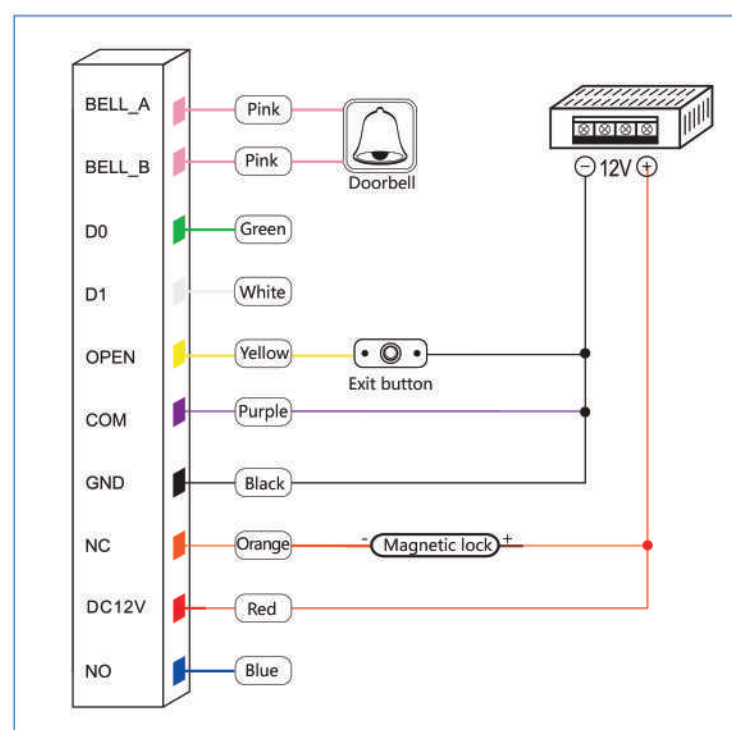
Ambient temperature : -45°C ~ 60°C

Electriclock output : \leq 1A

Short-circuit Protect : \leq 100 μ s

Dimensions : 115*75*16mm

Connection diagram



Disclaimer: Brief specifications are mentioned here. Specifications may change without prior notice. Customers are advised to check with us before purchase. Actual product may differ slightly to that depicted for ongoing product development